

Pearl

Aquapres

Pressurization Pump Systems
Sistemas de presurización



Systems Applications

The AQUAPRES systems can be used to increase the pressure in homes, small buildings, restaurants, etc. The systems come assembled for an easy installation, including all the accessories needed for an automatic operation.

Water Pump

AQUAPRES systems come powered by PEARL PUMPS and depending on the application, they are assembled with a peripheral, centrifugal, or selfpriming jet pump. The HP range goes from 1/2 hp to 3 hp.

Accesorios

The AQUAPRES system include all the accessories needed for an automatic operation and guarantee a correct installation. The components are:

- PEARL water pump.
- PEARL pressure tank, or similar.
- SQUARE D Pressure switch, or similar.
- Pressure gauge.
- 5 way fitting.
- Flexible hose (for horizontal tanks).

Aplicaciones de los Sistemas

Pueden ser usados para generar o aumentar la presión en una red de tuberías, tales como casas, edificios, restaurantes, industria, etc. Los equipos AQUAPRES vienen predispuestos para ser instalados directamente a la red de tuberías. Consultar listado de accesorios adicionales necesarios.

Bomba

Vienen potenciados con Electrobombas PEARL de las diferentes líneas: Periféricas, centrifugas y Jet, y en potencias de 0,5 HP hasta 3 HP. Consultar listado de especificaciones de cada bomba según el modelo del equipo.

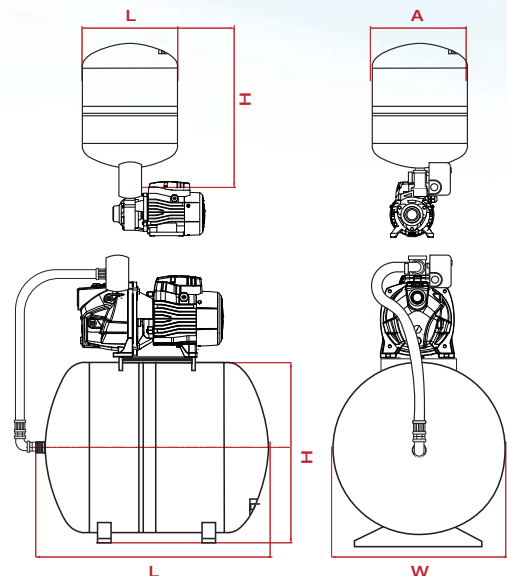
Accesorios

Los equipos AQUAPRES incluyen todos los accesorios necesarios para garantizar la presurización adecuada de la instalación:

- Bomba de agua PEARL.
- Tanque precargado PEARL o similar.
- Presostato SQUARE D o similar.
- Conexión 5 vías en bronce.
- Manómetro seco.
- Tubo Flexible (para tanques horizontales).

Dimensions / Dimensiones

| MODEL MODELO | DN1 | DN2 | DIMENSIONS DIMENSIONES | | | WEIGHT PESO [kg] |
|-----------------|-----|-----|---------------------------|--------|--------|------------------------|
| | | | L [mm] | A [mm] | H [mm] | |
| PEP24S 05 | 1" | 1" | 353 | 280 | 604 | 10.3 |
| PEP20H 05 | 1" | 1" | 509 | 289 | 533 | 12.1 |
| CEP24S 10 | 1" | 1" | 394 | 280 | 700 | 18.3 |
| CEP20H 10 | 1" | 1" | 509 | 289 | 629 | 20.1 |
| CEP60H 10 | 1" | 1" | 598 | 414 | 754 | 26.5 |
| JCP24S 05 | 1" | 1" | 399 | 280 | 630 | 14.3 |
| JCP20H 05 | 1" | 1" | 509 | 289 | 559 | 16.1 |
| JCP24S 07 | 1" | 1" | 427 | 280 | 660 | 17.3 |
| JCP20H 07 | 1" | 1" | 509 | 289 | 589 | 19.1 |
| JCP24S 10 | 1" | 1" | 427 | 280 | 660 | 19.3 |
| JCP20H 10 | 1" | 1" | 509 | 289 | 589 | 21.1 |
| JCP60H 10 | 1" | 1" | 598 | 414 | 714 | 27.5 |
| JSP24S 05 | 1" | 1" | 399 | 280 | 640 | 12.3 |
| JSP20H 05 | 1" | 1" | 509 | 289 | 569 | 14.1 |
| JSP24S 07 | 1" | 1" | 428 | 280 | 670 | 13.3 |
| JSP20H 07 | 1" | 1" | 509 | 289 | 599 | 15.1 |
| JSP24S 10 | 1" | 1" | 428 | 280 | 670 | 15.3 |
| JSP20H 10 | 1" | 1" | 509 | 289 | 599 | 17.1 |
| JSP60H 10 | 1" | 1" | 598 | 414 | 724 | 23.5 |



Above Ground Pumps | Bombas Sumergibles

Aquapres Series | Serie Aquapres

Technical Information / Información Técnica

| MODEL MODELO | HP | TANK VOLUME VOLUMEN TANQUE | TANK TYPE TIPO DE TANQUE | PUMP TYPE TIPO DE BOMBA | PRESSURE SWITCH SETTING GRADUACION PRESOSTATO | PUMP MODEL MODELO BOMBA | POINT OF OPERATION PUNTOS DE OPERACION | |
|--------------|------|----------------------------|--------------------------|--|---|-------------------------|--|----------------------------|
| | | | | | | | PUMP START ARRANQUE BOMBA | PUMP SHUT-OFF PARADA BOMBA |
| PEP24S 05 | 0.5 | 24 | In line/Esférico | Peripheral / Periférica | 20 - 40 PSI | PEP 05 | 25 L/min - 20 psi | 12 L/min - 40 psi |
| PEP20H 05 | 0.5 | 20 | Horizontal | Peripheral / Periférica | 20 - 40 PSI | PEP 05 | 25 L/min - 20 psi | 12 L/min - 40 psi |
| CEP24S 10 | 1.0 | 24 | In line/Esférico | Peripheral / Periférica | 20 - 40 PSI | CEP 10 | 100 L/min - 20 psi | 60 L/min - 40 psi |
| CEP20H 10 | 1.0 | 20 | Horizontal | Peripheral / Periférica | 20 - 40 PSI | CEP 10 | 100 L/min - 20 psi | 60 L/min - 40 psi |
| CEP60H 10 | 1.0 | 60 | Horizontal | Peripheral / Periférica | 20 - 40 PSI | CEP 10 | 100 L/min - 20 psi | 60 L/min - 40 psi |
| JCP24S 05 | 0.50 | 24 | In line/Esférico | Cast Iron Jet Pump / Jet Autocebante en Hierro | 20 - 40 PSI | JCP 05 | 42 L/min - 20 psi | 12 L/min - 40 psi |
| JCP20H 05 | 0.50 | 20 | Horizontal | Cast Iron Jet Pump / Jet Autocebante en Hierro | 20 - 40 PSI | JCP 05 | 42 L/min - 20 psi | 12 L/min - 40 psi |
| JCP24S 07 | 0.70 | 24 | In line/Esférico | Cast Iron Jet Pump / Jet Autocebante en Hierro | 20 - 40 PSI | JCP 07 | 50 L/min - 20 psi | 18 L/min - 40 psi |
| JCP20H 07 | 0.70 | 20 | Horizontal | Cast Iron Jet Pump / Jet Autocebante en Hierro | 20 - 40 PSI | JCP 07 | 50 L/min - 20 psi | 18 L/min - 40 psi |
| JCP24S 10 | 1.00 | 24 | In line/Esférico | Cast Iron Jet Pump / Jet Autocebante en Hierro | 30 - 50 PSI | JCP 10 | 80 L/min - 30 psi | 25 L/min - 50 psi |
| JCP20H 10 | 1.00 | 20 | Horizontal | Cast Iron Jet Pump / Jet Autocebante en Hierro | 30 - 50 PSI | JCP 10 | 80 L/min - 30 psi | 25 L/min - 50 psi |
| JCP60H 10 | 1.00 | 60 | Horizontal | Cast Iron Jet Pump / Jet Autocebante en Hierro | 30 - 50 PSI | JCP 10 | 80 L/min - 30 psi | 25 L/min - 50 psi |
| JSP24S 05 | 0.50 | 24 | In line/Esférico | Stainless Steel Jet Pump Jet Autocebante en Acero Inoxidable | 20 - 40 PSI | JSP 05 | 42 L/min - 20 psi | 12 L/min - 40 psi |
| JSP20H 05 | 0.50 | 20 | Horizontal | Stainless Steel Jet Pump Jet Autocebante en Acero Inoxidable | 20 - 40 PSI | JSP 05 | 42 L/min - 20 psi | 12 L/min - 40 psi |
| JSP24S 07 | 0.70 | 24 | In line/Esférico | Stainless Steel Jet Pump Jet Autocebante en Acero Inoxidable | 20 - 40 PSI | JSP 07 | 50 L/min - 20 psi | 18 L/min - 40 psi |
| JSP20H 07 | 0.70 | 20 | Horizontal | Stainless Steel Jet Pump Jet Autocebante en Acero Inoxidable | 20 - 40 PSI | JSP 07 | 50 L/min - 20 psi | 18 L/min - 40 psi |
| JSP24S 10 | 1.00 | 24 | In line/Esférico | Stainless Steel Jet Pump Jet Autocebante en Acero Inoxidable | 30 - 50 PSI | JSP 10 | 80 L/min - 30 psi | 25 L/min - 50 psi |
| JSP20H 10 | 1.00 | 20 | Horizontal | Stainless Steel Jet Pump Jet Autocebante en Acero Inoxidable | 30 - 50 PSI | JSP 10 | 80 L/min - 30 psi | 25 L/min - 50 psi |
| JSP60H 10 | 1.00 | 60 | Horizontal | Stainless Steel Jet Pump Jet Autocebante en Acero Inoxidable | 30 - 50 PSI | JSP 10 | 80 L/min - 30 psi | 25 L/min - 50 psi |

Packaging Information / Información del Empaque

| MODEL MODELO | DIMENSIONS DIMENSIONES | | | WEIGHT PESO [kg] |
|--------------|------------------------|--------|--------|------------------|
| | L [mm] | A [mm] | H [mm] | |
| PEP24S 05 | 510 | 290 | 700 | 10.8 |
| PEP20H 05 | 510 | 290 | 700 | 12.6 |
| CEP24S 10 | 510 | 290 | 700 | 18.8 |
| CEP20H 10 | 510 | 290 | 700 | 20.6 |
| CEP60H 10 | 600 | 420 | 760 | 27.0 |
| JCP24S 05 | 510 | 290 | 700 | 14.8 |
| JCP20H 05 | 510 | 290 | 700 | 16.6 |
| JCP24S 07 | 510 | 290 | 700 | 17.8 |
| JCP20H 07 | 510 | 290 | 700 | 19.6 |
| JCP24S 10 | 510 | 290 | 700 | 19.8 |
| JCP20H 10 | 510 | 290 | 700 | 21.6 |
| JCP60H 10 | 600 | 420 | 760 | 28.0 |
| JSP24S 05 | 510 | 290 | 700 | 12.8 |
| JSP20H 05 | 510 | 290 | 700 | 14.6 |
| JSP24S 07 | 510 | 290 | 700 | 13.8 |
| JSP20H 07 | 510 | 290 | 700 | 15.6 |
| JSP24S 10 | 510 | 290 | 700 | 15.8 |
| JSP20H 10 | 510 | 290 | 700 | 17.6 |
| JSP60H 10 | 600 | 420 | 760 | 24.0 |

